

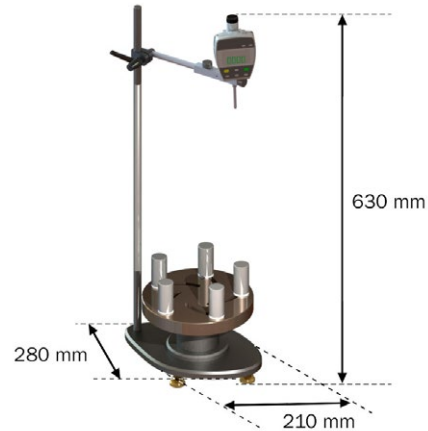
DEVICE FOR DETERMINE THE PERPENDICULARITY OF THE BOTTLES

BT-200



The BT-200 is an excellent tool to determine perpendicularity in bottles and containers which works by using the Height Method when placing the container on a rotating Chuck-type base, which will allow an appropriate adjustment to the sample diameter; the digital indicator can be positioned at different heights of the sample thanks to ratchet-type adjustment knobs.

OVERALL DIMENSIONS



Structure made of AISI type 304 stainless steel, Chuck terminated or nickel finish cutting edge, has leveling feet with ball joints which allow the stability of the device. The base has an aesthetic innovative design to be placed in a confined space.



Easy Adjustment.

DATOS TÉCNICOS

Overall Dimensions	210 x 280 x 630mm (8.27 x 11.02 x 24.80 in)
Approximate Weight	10 kg (22.05 lb)
Mitutoyo® Indicator	Digital indicator Model: 543-552-1
Indicator Resolution	0.01,0.001
Indicator Units	mm, plg
Diameter of the Sample (max-min)	40 - 128 mm (1.57 - 5.04 in)
Height of the Sample (max-min)	150 - 400 mm (5.91 - 15.75 in)

Extras

Data Cable

Connect the indicator direct to the PC, speeding up the data collect of each measurement.